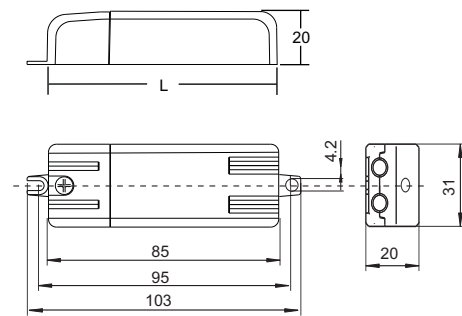




## Independent Electronic Converters - LiteLine

Electronic safety converters for low-voltage halogen incandescent lamps 12 V  
 Very compact size  
 Casing: heat-resistant polyamide  
 Mains frequency: 50-60 Hz  
 Protection against "no load" operation  
 Protection against short-circuit:  
 Protection against overheating  
 Protection against overloads  
 Suitable for installation in furniture and on combustible surfaces  
 Power factor: 0.98  
 Dimming: optional with phase-cutting leading-edge or phase-cutting trailing-edge dimmer  
 Screw terminals: 1.5 mm<sup>2</sup>  
 Quantity of screw terminals:  
 1x2-poles primary  
 1x2-poles secondary  
 With integrated cord grip  
**Protection class II**  
 SELV-equivalent  
 Degree of protection: IP20  
 RFI-suppressed



Electronic converter								
Type	Ref. No.	Voltage (V)		Nominal current A	Capacity range (W)	Ambient temperature t <sub>a</sub> [°C]	Casing temperature t <sub>c</sub> [°C]	Weight g
		prim. (±10%)	sec.					
Shape: 20x31x103 mm								
EST 60/12.634	186156	230-240	10.2-12.0	0.258-0.260	10-60	-20 to 45	max. 85	70